



BUSH HOG®

Rear-Mounted Boom Mowers

IF IT DOESN'T SAY
BUSH HOG®
IT JUST WON'T CUT IT™

PT SERIES | RMB SERIES



REAR-MOUNTED BOOM MOWERS

PT5 & RMB
SERIES

PT5 POWERTRIM-2 / RMB1445-1 / RMB1660-1 /
RMB1865-1 / RMB1880F / RMB2080F



Extend your reach and productivity!

The ultimate in versatility, Bush Hog®'s rugged rear-mounted boom mowers are designed to trim trees, brush, or hedges and mow behind guardrails, over fences, down embankments, and around ponds. With four models reaching from 12' - 18' from the tractor centerline, there's almost no limit to what you can accomplish. They're easy to operate and built to provide years of dependable service. Two models reaching 18' - 20', offer forward reach capability, allowing the operator to bring the arm and mower head from behind the rear tire to alongside the tractor cab for improved visibility and mowing efficiency.



RMB1808F and
RMB2080F units feature
forward reach capability.

Bush Hog®'s Boom Mowers Take Cutting to New Heights.

Our dependable, rugged rear-mounted boom mowers are valuable land management tools.

Four models cover a wide range of municipal and agricultural applications and tractor sizes, with two additional models recommended for more rigorous, continuous duty work.

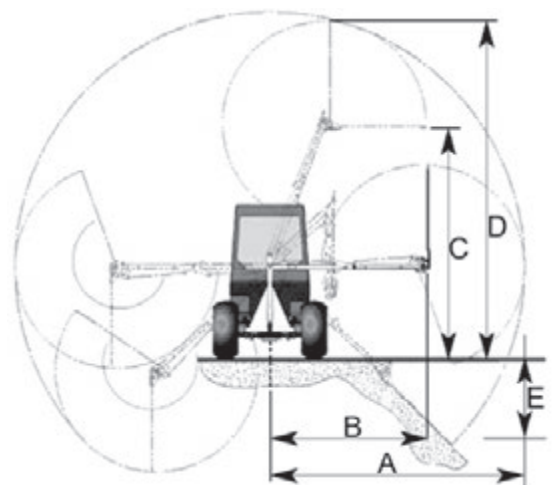
(RMB models to be used on tractors equipped with cabs only, and for rotary mower heads, protective screen material must be installed.)





PT5 Mower Features

The unique PT5 is powered by the tractor's hydraulic system, requiring only 3.7 gal/min. flow to operate the unit. A Flow Control Valve Kit comes standard on current models to divert excess hydraulic flow back to the tractor. The PT5 fits tractors as small as 15 HP. Its unique "swing over" design enables the unit to work on either side of the tractor. The PT5 is equipped with a swing arm and sickle bar head to meet the pruning needs of horticulturists and landscapers alike.



PT5-2
POWERTRIM
3/4" Cutting Capacity
59" Cutting Width

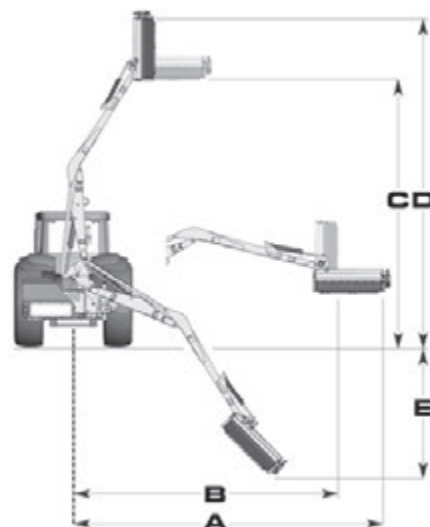
RMB Series Features

- Multiple cutting head options** allow you to fit an RMB Mower to your particular application. A rotary cutter head capable of cutting brush up to 4 inches" in diameter is available for use on the larger RMB1660, RMB1865(E), RMB1880F, and RMB2080F models. Flail heads capable of mowing either grass or brush up to 2" in diameter, or sickle bar cutters that specialize in trimming hedges and mowing round out the cutting head options.
- RMB models fit tractors as small as 45 HP** and weighing a minimum 4,410 lb. Forward Reach models fit tractors 80 HP and up weighing a minimum of 8,800 lb.
- Hydraulic breakaway mechanisms** on all RMB models break up and away to allow you to clear most obstacles encountered while mowing.
- RMB1660, RMB1865, RMB1880F, and RMB2080F units offer a Power Slew feature** that allows the operator to rotate the cutter 100° to the rear, thereby permitting the cutting out of corners and mowing within the tractor's width.

- Variable Forward Reach RMB Mowers** are ideal for demanding continuous duty agricultural, roadside maintenance, and municipality use. The RMB1880F and RMB2080F models allow the operator to maneuver the mower head along the range from behind the tractor wheel to alongside the cab for improved visibility, functionality and efficiency.
- All flail heads on the RMB models come standard with an adjustable front guard and front flap kit** to protect from thrown objects, along with a built-in "wire trap" feature to keep loose wires from becoming entangled in the rotor.
- RMB models offer optional accessories** such as a lift float kit and skid kit on certain models.

RMB1445-1
 RMB1660-1
 RMB1865-1

(RMB models to be used on tractors equipped with cabs only.)



All booms are equipped with hydraulic or mechanical breakaway.

REAR-MOUNTED BOOM MOWER SPECIFICATIONS

MODELS: RMB1445-1 | RMB1660-1 | RMB1865-1 | PT5 Powertrim-2

| | | | | |
|---------------------------------------|---|---|---|--|
| Minimum Tractor PTO HP/Weight | <i>See Head Selection Chart - Varies Based on Head Choice</i> | | | |
| Tractor PTO | 540 | | | NA |
| Machine Weight with Flail* | 1,220 lb. | 2,403 lb. | 2,470 lb. | 415 lb. |
| Hydraulic System | Totally Independent (Self-Contained Hyd. System, Pump Powered by Tractor PTO) | | | Open Center Hyd. System (Closed Center Kit Avail.), Tractor Remote Outlet, 3.7-5.6 GPM, Flow Control Valve Kit Std |
| Hydraulic Remotes Required | None Required | | | One Set |
| Attachment Method | Cat 1/2, 3-Point Mount | | | Cat 1/2, 3-Point Mount |
| Controls | Cable-Controlled Quick Detach (QD) Standard | Cable-Controlled Quick Detach (QD)/Electronic Controls (XTC) Standard | Cable-Controlled Hydraulic Remotes Standard | |
| Maximum Reach, Horizontal (A) | 14' 1" | 16' 5" | 18' 1" | 11' 5" |
| Maximum Height, Horizontal (B) | 13' 2" | 14' 6" | 16' 1" | 7' 2" |
| Maximum Height, Horizontal (C) | 13' 5" | 15' 9" | 17' 5" | 5' 7" |
| Maximum Height, Vertical (D) | 13' 9" | 20' 8" | 22' 4" | 10' 2" |
| Maximum Depth, 45° | 5' 4" | 7' 3" | 8' 2" | 4' 6" |
| Lightbar Kit | Standard | | | |

* Machine Weight with Flail of RMB1445-1, RMB1660-1 and RMB1865-1 includes the weight of the oil.
Due to freight requirements, units are shipped without oil.

HEAD SELECTION CHART

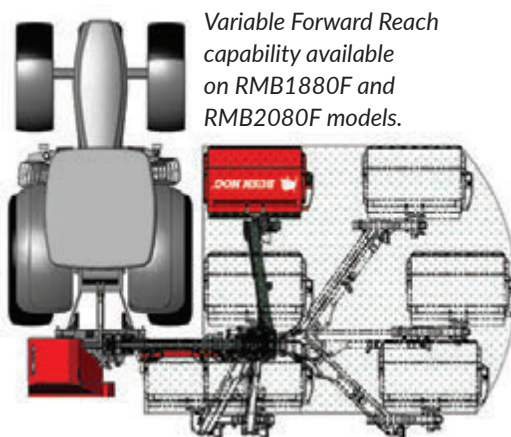
MODELS: RMB1445-1 | RMB1660-1 | RMB1865-1 | PT5 Powertrim-2

| | | | | | |
|--------------------|--------------------------------------|--|--|-------------------|--|
| FLAIL HEAD | Minimum Tractor PTO HP/Weight | 45 HP / 4,410 lb. | 60 HP / 6,614 lb. | 85 HP / 9,920 lb. | <i>Not Available For Use On This Model</i> |
| | Rotor/Knife | Super Cut/ Universal | Super Cut/F91 Competition or Multi-Cut Competition | | NA |
| | Typical Application | Grass, Light Brush | Hedge Cutting, Grass | | NA |
| | Cutting Capacity | 1" Diameter | 1½" Diameter | 2" Diameter | NA |
| | Cutting Width | 39" | 47" | | NA |
| ROTARY HEAD | Minimum Tractor PTO HP/Weight | <i>Not Available For Use On This Model</i> | 85 HP / 7,614 lb. | 85 HP / 9,920 lb. | <i>Not Available For Use On This Model</i> |
| | Typical Application | NA | Grass/Brush | | NA |
| | Cutting Capacity | NA | 4" Diameter | | NA |
| | Cutting Width | NA | 60" | | NA |
| CUTTER BAR | Minimum Tractor PTO HP/Weight | 45 HP / 4,410 lb. | 60 HP / 6,614 lb. | 85 HP / 9,920 lb. | 15 HP / 1,212 lb. |
| | Cutter Type | Sickle Bar | | | |
| | Cutting Capacity | 1 ¼" Diameter | | | ¾" Diameter |
| | Cutting Width | 59" | | | |

FORWARD REACH REAR-MOUNTED BOOM MOWER SPECIFICATIONS

MODELS: RMB1880F | RMB2080F

| | | |
|--------------------------------|---|------------|
| Minimum Tractor PTO HP | 80 HP | |
| Tractor Minimum Weight (lb.) | 9,920 lb. | 11,500 lb. |
| Tractor PTO | 540 | |
| Machine Weight (lb.)* | 2,469 | 2,540 |
| Hydraulic System | Totally Independent (Self Contained Hyd. System, Pump powered by Tractor PTO) | |
| Hydraulic Remotes Required | One Set If Using Rotary Cutter Head Only (To Power Hyd. Hood) | |
| Attachment Method | Cat 2 & 3, 3-Point Mount | |
| Controls | Evolution Controls (Joystick, Keypad Combination) | |
| Maximum Reach, Horizontal (A) | 18' 1" | 19' 8" |
| Maximum Height, Horizontal (B) | 16' 1" | 17' 9" |
| Maximum Height, Horizontal (C) | 17' 5" | 18' 8" |
| Maximum Height, Vertical (D) | 22' 0" | 23' 4" |
| Maximum Depth, 45° | 7' 10" | 9' 2" |
| Lightbar Kit | Standard | |



Variable Forward Reach capability available on RMB1880F and RMB2080F models.

* Machine Weight does not include attachment and oil. Unit is shipped without oil.

HEAD SELECTION CHART

FLAIL HEAD MODELS: 50081485 | 50081486 | 50081487

| | | | |
|--|----------------------|--------------|----------------|
| Minimum Tractor PTO HP / Weight - RMB1880F | 80 HP / 9,920 lb. | | |
| Minimum Tractor PTO HP / Weight - RMB2080F | 80 HP / 11,500 lb. | | |
| Rotor / Knife | Uni-Boot Flail | Omega Flail | Uni-Boot Flail |
| Typical Application | Hedge Cutting, Grass | | |
| Cutting Capacity | 1" Diameter | 1½" Diameter | 1" Diameter |
| Cutting Width | 47" | 45" | 59" |

ROTARY HEAD MODELS: 50081488

| | | | |
|--|--------------------|--|--|
| Minimum Tractor PTO HP / Weight - RMB1880F | 80 HP / 9,920 lb. | | |
| Minimum Tractor PTO HP / Weight - RMB2080F | 80 HP / 11,500 lb. | | |
| Typical Application | Grass / Brush | | |
| Cutting Capacity | 4" Diameter | | |
| Cutting Width | 47" | | |

* Excluding attachment and oil



IF IT DOESN'T SAY
BUSH HOG®
IT JUST WON'T CUT IT™

2501 Griffin Avenue, Selma, Alabama 36703

Tel: 800-363-6096 | Fax: 334-874-2701



BushHog.com



CONTENT DISCLAIMER:

The products and information contained in this literature are subject to change without notice. Bush Hog® reserves the right to improve our products and make changes to specifications, designs, and standard equipment without notice. For additional product information, please visit Bush Hog®'s website or see your dealer for complete details.