

DEMCO

HARVEST EQUIPMENT



RELIABLE • EASY TO OPERATE • EFFICIENT • SAFE



Doing Our Best to Provide You the Best

www.demco-products.com • 1.800.543.3626



EXTENSIONS & TIP-UPS

*for many different makes
and models of combines*

Demco combine grain tank extensions and tip-ups are the best in the industry. Our high quality products will not only add to your combine's capacity, but also look great on the combine.

EXTENSIONS

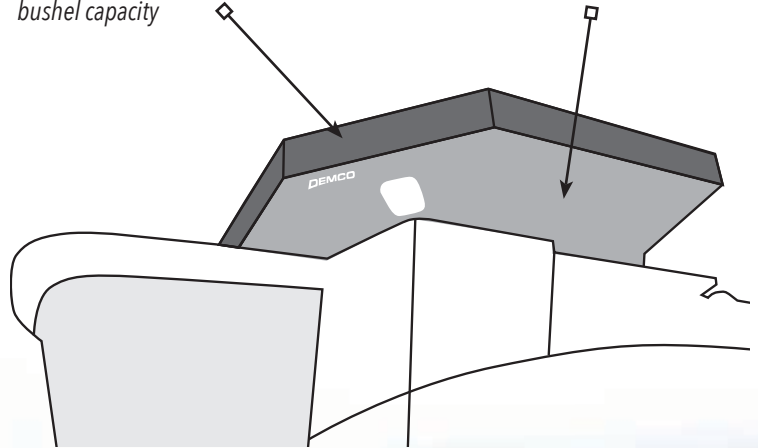
We are proud to be the industry leading provider of grain tank extensions for combines. Demco grain tank extensions provide superior quality, fit, and finish.

TIP-UPS

We offer an extensive array of Tip-Up kits for your combine. A Demco Tip-Up is an economic way to add capacity to your combine and improve your harvest efficiency.

Demco Grain Tank Tip-ups are vertical panels that add to either the Demco Grain Tank Extension or to the factory OEM extension for added bushel capacity

Demco Grain Tank Extension replaces the factory extension for added bushel capacity and lower clearance of the combine



GRAIN TANK EXTENSION

Replaces the factory grain tank extension



XL GRAIN TANK EXTENSION

High capacity to increase harvest efficiency



MANUAL FOLD GRAIN TANK TIP-UPS

Adds capacity to the factory manual fold extension



POWER FOLD GRAIN TANK TIP-UPS

Adds capacity to the factory power fold extension

RELIABLE • EASY TO OPERATE • EFFICIENT • SAFE



UNLOADING COMBINE AUGER EXTENDERS™

Since 1996, Demco Manufacturing has distributed this Stewart Steel product through our dealership network. Quality engineered and built to provide years of service, extenders offer the ability to extend the unloading auger to allow for greater clearance between the header and cart.

This product is designed to fit a wide variety of combine models, and is available through Demco Manufacturing.

The "Extender" is a Trade Mark of Stewart Steel Inc. and is manufactured in Canada by Stewart Steel Inc.

Easy outer end installation

Narrowing spout for strong grain stream

More clearance between combine and cart

Available For: John Deere, Case, New Holland, Massey, Cat & Gleaner



BIN FILL AUGER

Reduces auger flighting wear, relieves belts, pulleys, clutches, chains and gear boxes

EXTENDED FOLDING

Folds quickly and easily to original grain tank height. Reduces auger flighting wear, relieves belts, pulleys, clutches, chains and gear boxes.



SPOUT RE-DIRECT KIT

The spout mounts on to the factory spout and directs the grain downward. Ideal for small grains, swathing, short header, windy conditions and low grain truck or wagon applications as well.



DEMCO

Doing our Best to Provide You the Best! Located in Boyden and Spencer, Iowa, we know farming. Many of our employees also farm. It is this knowledge and experience that helps us understand that we need to listen to farmers to know what is needed to help them get the job done. All of our products – *sprayers, saddle tanks, grain carts, wagons, head transports, and combine tank extensions* – have been developed with customer feedback.



The information contained herein is general in nature and is not intended for specific application purposes. Demco Manufacturing reserves the right to make changes in specifications or products at any time without notice or obligation. Trailers pictured in this brochure may feature optional equipment.



Doing Our Best to Provide You the Best

4010 320th Street • Boyden, Iowa 51234
1.800.543.3626
www.demco-products.com